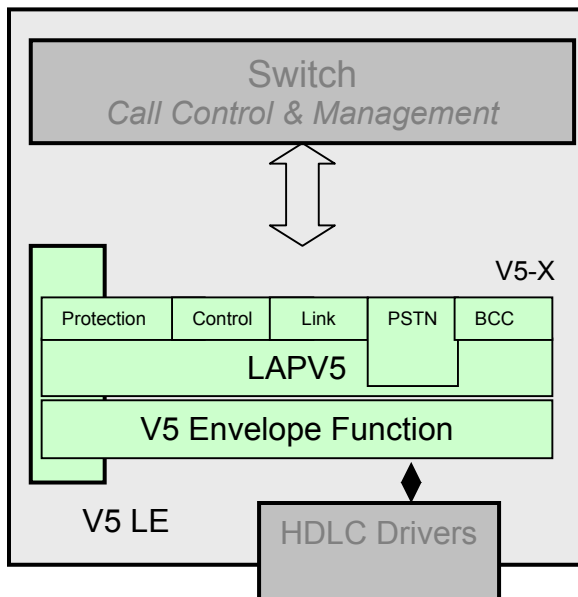


V5 Express

The V5 Express (V5-X) is an integrated product suite that provides a complete implementation of the ETSI V5.1 and V5.2 protocols. V5-X provides a proven V5 implementation with the straightforward software interface.



Features:

- The V5-X product suite provides integrated Access Network (AN) and Local Exchange (LE) protocol stacks for ETSI V5.2 and V5.1.
- Provides implementation of the following V5 data links: PSTN, Port and Common Control, Link Control, BCC, and Protection.
- Provides implementation of LAPV5 data link layer.
- Supports AN ISDN frame relay function.
- Proven against numerous V5 switching systems and country variants.
- Testing against ETSI V5.1 and V5.2, network and data link layer conformance tests.
- Written and delivered in C.
- Compact code and data usage is ideal for embedded, real-time environments.
- V5-X modules adhere to a common, platform-independent architecture that utilizes the tasking structure available from the customer RTOS.
- Single-board implementations can often be integrated to customer HDLC, RTOS, and IPC by an EDI engineer within one week!
- Optional integration packages available from EDI provide different levels of integration support dependant on customer need.
- V5-X is a loosely coupled suite of products that allows component products to be distributed to different hardware components in a system.
- Integrated hardware redundancy support.
- Single-vendor source ensures efficient problem resolution. All source code modules have been developed in-house.
- V5 and V5-X product training included with purchase price.
- Example application code provides developers a hands-on jump-start in using the V5-X software.
- V5-X can coexist in the same running software with other EDI protocol products (e.g. GEM-X and ISD-X).
- Code tracing and event/state display debug facilities included. Debug facilities can be compiled out to save code space. When compiled in, they can be selectively enabled at runtime.