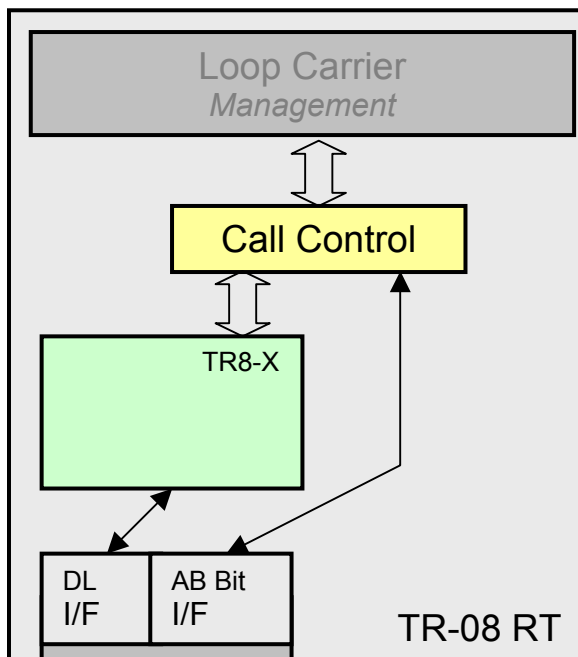


TR-08 Express

TR-08 Express (TR8-X) is protocol software for implementing the TR-08 data link in a switch or remote terminal. TR8-X provides telecom equipment manufacturers source code software that will easily integrate to their custom or off-the-shelf DS1 drivers and delivers a simplified interface to complexities of the TR-08 data link.



Features:

- Written and delivered in ANSI C.
- Provides a simplified interface to generate data link values to send.
- Accumulates incoming data link values and assembles them into developer friendly actions to be handled.
- Provided as an efficient library of procedures that can be tightly coupled to DS1 drivers.

- Provides encode and decode of maintenance, alarm, protection, and concentrator fields of the TR-08 data link.
- Supports 13 and 16 bit alarm formats.
- Provides developer friendly interface to concentrator field messages in TR-08 Mode II simplifying dynamic assignment of timeslots.
- Supports both switch and remote sides of TR-08 interface.
- Code tracing and event/state display debug facilities included. Debug facilities can be compiled out to save code space. When compiled in, they can be selectively enabled at runtime.
- Single-vendor source ensures efficient problem resolution. All source code modules have been developed in-house.

```

TR-08 High-Level Decode = {
  count = 1
  tr8_action = {
    actionType = concFieldMsg
    tr8_concFieldMsg = {
      concFieldMsgType = activity
      tr8_lineActivityList = {
        count = 1
        tr8_lineActivity = {
          lineNumber = 42
          activityState = active
        }
      }
    }
  }
}

```